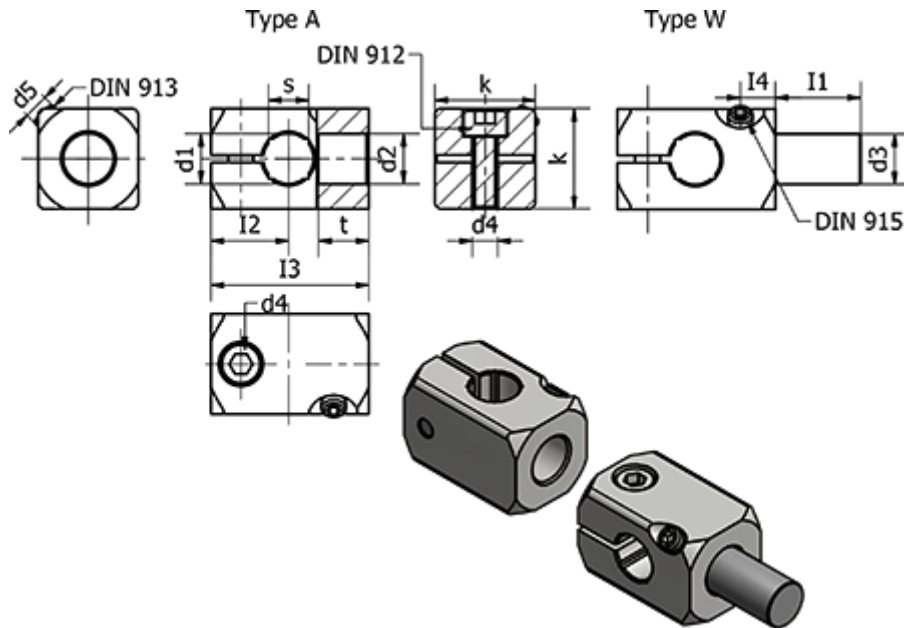


Article number: 20476B1616WELS

Description: E+G T-clamp mounting - GN 476-B16-16-W-ELS

Measures



Clamping kit for d4 = GN 511-M6-25	l3	= 45	
d1	= 16	l4	= 11
d2	=	k	= 25
d3	= 16	s	=
d4	= M6	t	= 16
d5	= M6	Weight (g)	= 54
l1	= 24		
l2	= 20		